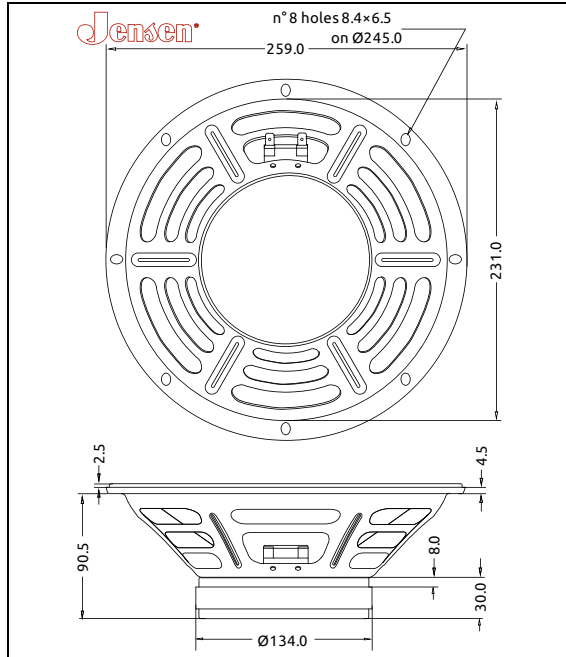


GENERAL CHARACTERISTICS		
Nominal Overall Diameter	259 mm.	10 in.
Nominal Voice Coil Diameter	38 mm.	1.50 in.
Magnet Weight	810 g	28.57 oz
Overall Weight		6.61 lbs
Flux Density		1.15 T
Voice Coil Winding Depth		0.39 in.
Magnetic Gap Depth		0.31 in.

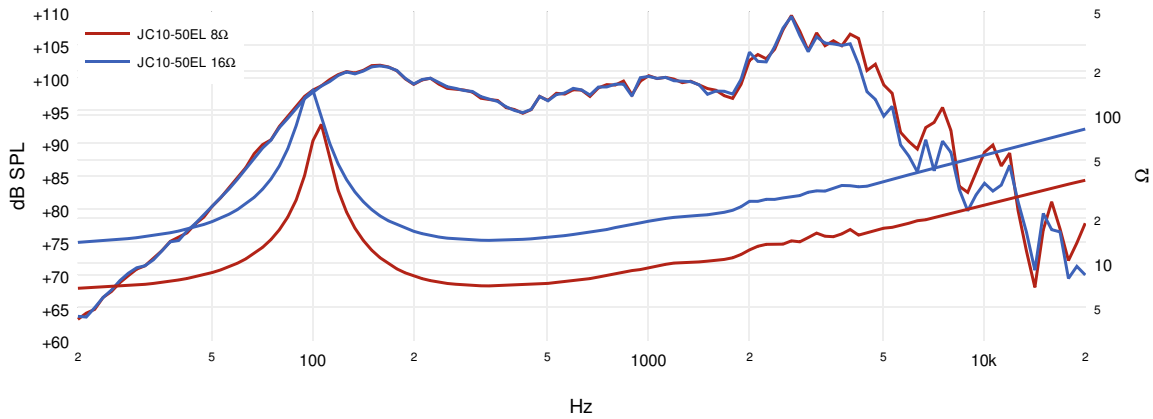
THIELE-SMALL PARAMETERS			
		8Ω	16Ω
Voice Coil DC Resistance	$R_E$	6.05	12.65 Ω
Resonance Frequency	$f_S$	100.3	104.0 Hz
Mechanical Q Factor	$Q_{MS}$	15.12	8.25
Electrical Q Factor	$Q_{ES}$	0.84	0.81
Total Q Factor	$Q_{TS}$	0.80	0.73
Mechanical Moving Mass	$M_{MS}$	19.0	18.4 g
Mechanical Compliance	$C_{MS}$	132	127 μm/N
Force Factor	$B \times L$	9.29	13.73 Wb/m
Equivalent Acoustic Volume	$V_{AS}$	20.4	19.7 lt.
Maximum Linear Displacement	$X_{MAX}$	1.00	1.00 mm
Reference Efficiency	$\eta_0$	2.36	2.62 %
Diaphragm Area	$S_D$	330.1	330.1 cm <sup>2</sup>
Losses Electrical Resistance	$R_{ES}$	108.7	149.8 Ω
Voice Coil Inductance @ 1kHz	$L_E$	0.62	1.15 mH

CONSTRUCTIVE CHARACTERISTICS	
Magnet	Ferrite
Voice Coil Winding	Aluminum
Voice Coil Former	Kapton
Cone Material	Paper
Surround Material	Integrated Paper
Dust Dome Material	Non-treated Cloth
Basket Material	Pressed Sheet Steel
Surround Treatment	Yes

ELECTRICAL CHARACTERISTICS		
	8Ω	16Ω
Nominal Impedance	8	16 Ω
Rated Power	50	50 W
Musical Power	100	100 W
Sensitivity@1W,1m	97.1	97.4 dB



Frequency Response on IEC Baffle (DIN 45575) @ 1W, 1m - Free Air Impedance



Due to continuing product improvement, the features and the design are subject to change without notice.