

Jensen Vintage Ceramic Series

12" - 50W Vintage Ceramic Loudspeaker

C 12 R - 8 Ω
Code ZJ06090

GENERAL CHARACTERISTICS

Nominal Overall Diameter	306	mm
Nominal Voice Coil Diameter	25	mm
Magnet Weight	270	g
Flux Density.....	1.00	T
Weight.....	1.38	Kg

THIELE-SMALL PARAMETERS

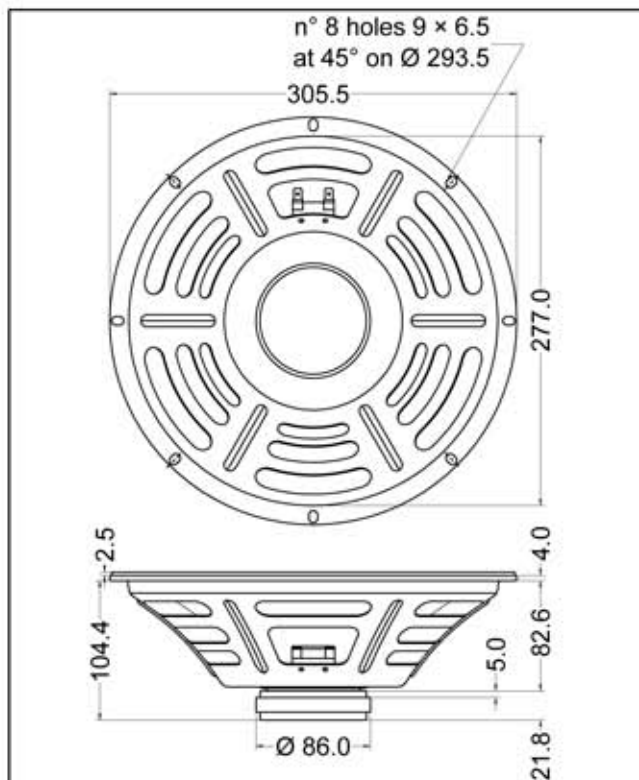
Voice Coil DC Resistance	R_E	6.50	Ω
Resonance Frequency	f_s	74.0	Hz
Mechanical Q Factor.....	Q_{MS}	21.48	
Electrical Q Factor.....	Q_{ES}	2.06	
Total Q Factor.....	Q_{TS}	1.88	
Mechanical Moving Mass	M_{MS}	24.6	g
Mechanical Compliance.....	C_{MS}	187	μm/N
Force Factor	$B \times l$	5.98	Wb/m
Equivalent Acoustic Volume.....	V_{AS}	63.2	lt.
Maximum Linear Displacement	X_{MAX}	+/-0.8	mm
Reference Efficiency	η_D	1.20	%
Diaphragm Area	S_D	490.8	cm ²
Losses Electrical Resistance.....	R_{ES}	67.0	Ω
Voice Coil Inductance @ 1kHz	L_E	0.49	mH

CONSTRUCTIVE CHARACTERISTICS

Magnet.....	Ferrite
Voice Coil Winding.....	Copper
Voice Coil Former.....	Kapton
Cone	Paper
Surround.....	Paper - Integrated
Dust Dome	Felt
Basket	Pressed Sheet Steel

ELECTRICAL CHARACTERISTICS

Nominal Impedance.....	8	Ω
Musical Power	50	W
Rated Power*	25	W
Sensitivity @ 1 W, 1 m	93.8	dB



*rated power measured with 2 hours test with pink noise signal, 6 dB crest factor, loudspeaker mounted on enclosure

Frequency Response on IEC Baffle (DIN 45575) @ 1 W, 1 m - Impedance

