

Jensen Vintage Ceramic Series 12"- 100W Vintage Ceramic Loudspeaker C 12 N - 8 Ω Code ZJ06140

GENERAL CHARACTERISTICS

| | | |
|-----------------------------------|------|----|
| Nominal Overall Diameter | 307 | mm |
| Nominal Voice Coil Diameter | 38 | mm |
| Magnet Weight | 810 | g |
| Flux Density..... | 1.15 | T |
| Weight..... | 3.27 | Kg |

THIELE-SMALL PARAMETERS

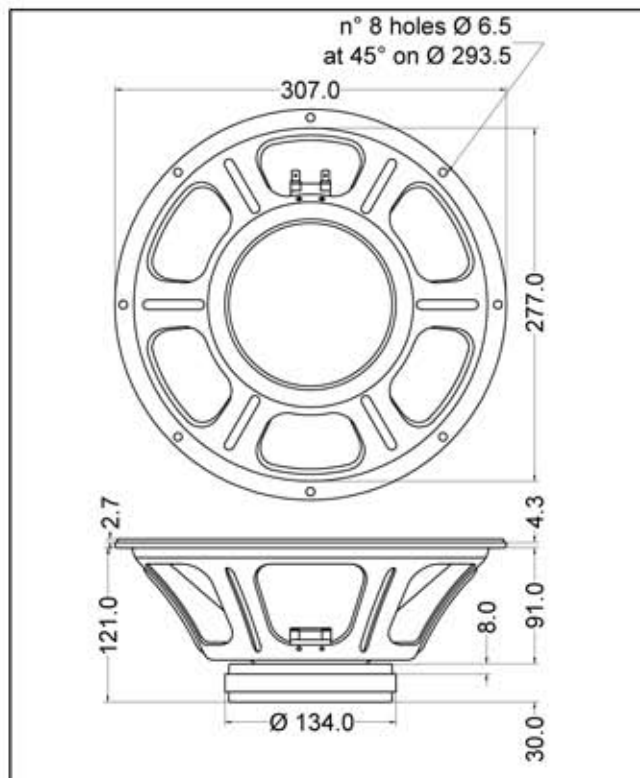
| | | | |
|-----------------------------------|--------------|--------|-----------------|
| Voice Coil DC Resistance | R_E | 6.50 | Ω |
| Resonance Frequency | f_s | 112.0 | Hz |
| Mechanical Q Factor..... | Q_{MS} | 7.01 | |
| Electrical Q Factor..... | Q_{ES} | 1.05 | |
| Total Q Factor..... | Q_{TS} | 0.92 | |
| Mechanical Moving Mass | M_{MS} | 25.2 | g |
| Mechanical Compliance..... | C_{MS} | 82 | μm/N |
| Force Factor | $B \times l$ | 10.39 | Wb/m |
| Equivalent Acoustic Volume..... | V_{AS} | 27.6 | lt. |
| Maximum Linear Displacement | X_{MAX} | +/-1.0 | mm |
| Reference Efficiency | η_D | 3.48 | % |
| Diaphragm Area | S_D | 490.8 | cm ² |
| Losses Electrical Resistance..... | R_{ES} | 42.5 | Ω |
| Voice Coil Inductance @ 1kHz | L_E | 0.90 | mH |

CONSTRUCTIVE CHARACTERISTICS

| | |
|-------------------------|---------------------|
| Magnet..... | Ferrite |
| Voice Coil Winding..... | Copper |
| Voice Coil Former..... | Kapton |
| Cone | Paper |
| Surround..... | Paper - Integrated |
| Dust Dome | Solid Paper |
| Basket | Pressed Sheet Steel |

ELECTRICAL CHARACTERISTICS

| | | |
|------------------------------|------|----|
| Nominal Impedance..... | 8 | Ω |
| Musical Power | 100 | W |
| Rated Power* | 50 | W |
| Sensitivity @ 1 W, 1 m | 98.4 | dB |



*rated power measured with 2 hours test with pink noise signal, 6 dB crest factor, loudspeaker mounted on enclosure

Frequency Response on IEC Baffle (DIN 45575) @ 1 W, 1 m - Impedance

