

## Jensen Vintage Ceramic Series 12"- 200W Ceramic Guitar Loudspeaker C 12 K - 8 Ω Code ZJ06020

### GENERAL CHARACTERISTICS

Nominal Overall Diameter .....	307	mm
Nominal Voice Coil Diameter .....	50	mm
Magnet Weight .....	1450	g
Flux Density.....	1.10	T
Weight.....	4.31	Kg

### THIELE-SMALL PARAMETERS

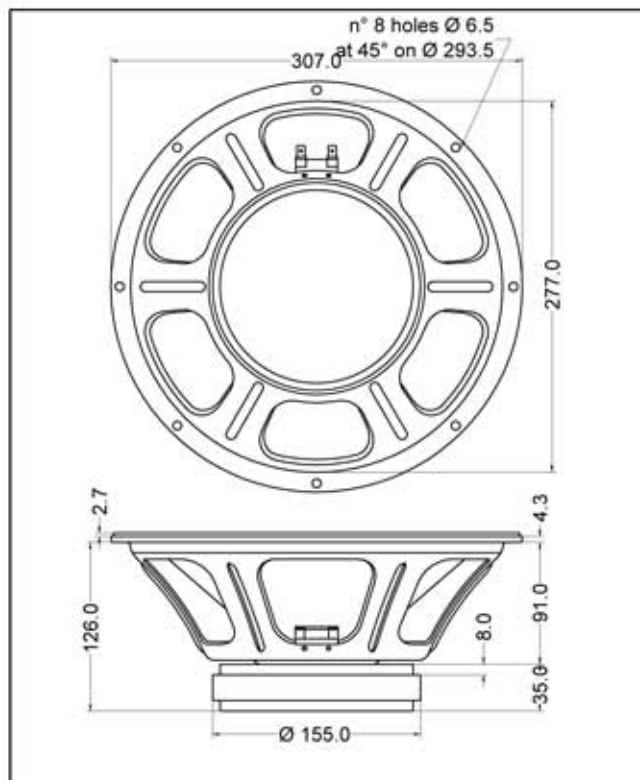
Voice Coil DC Resistance .....	$R_E$	7.00	Ω
Resonance Frequency .....	$f_s$	104.0	Hz
Mechanical Q Factor.....	$Q_{MS}$	20.41	
Electrical Q Factor.....	$Q_{ES}$	0.67	
Total Q Factor.....	$Q_{TS}$	0.65	
Mechanical Moving Mass .....	$M_{MS}$	28.8	g
Mechanical Compliance.....	$C_{MS}$	82	μm/N
Force Factor .....	$B \times l$	13.95	Wb/m
Equivalent Acoustic Volume.....	$V_{AS}$	27.6	lt.
Maximum Linear Displacement ....	$X_{MAX}$	+/-1.0	mm
Reference Efficiency .....	$\eta_D$	4.43	%
Diaphragm Area .....	$S_D$	490.9	cm <sup>2</sup>
Losses Electrical Resistance.....	$R_{ES}$	210.0	Ω
Voice Coil Inductance @ 1kHz ....	$L_E$	0.84	mH

### CONSTRUCTIVE CHARACTERISTICS

Magnet.....	Ferrite
Voice Coil Winding.....	Copper
Voice Coil Former.....	Kapton
Cone .....	Paper
Surround.....	Paper - Integrated
Dust Dome .....	Non Treated Cloth
Basket .....	Pressed Sheet Steel

### ELECTRICAL CHARACTERISTICS

Nominal Impedance.....	8	Ω
Musical Power .....	200	W
Rated Power* .....	100	W
Sensitivity @ 1 W, 1 m .....	99.1	dB



\*rated power measured with 2 hours test with pink noise signal, 6 dB crest factor, loudspeaker mounted on enclosure

Frequency Response on IEC Baffle (DIN 45575) @ 1 W, 1 m - Impedance

