

## Jensen Vintage Ceramic Series 10"- 50W Vintage Ceramic Loudspeaker C 10 R - 8 Ω Code ZJ05070

### GENERAL CHARACTERISTICS

Nominal Overall Diameter .....	259	mm
Nominal Voice Coil Diameter .....	25	mm
Magnet Weight .....	270	g
Flux Density.....	1.00	T
Weight.....	1.20	Kg

### THIELE-SMALL PARAMETERS

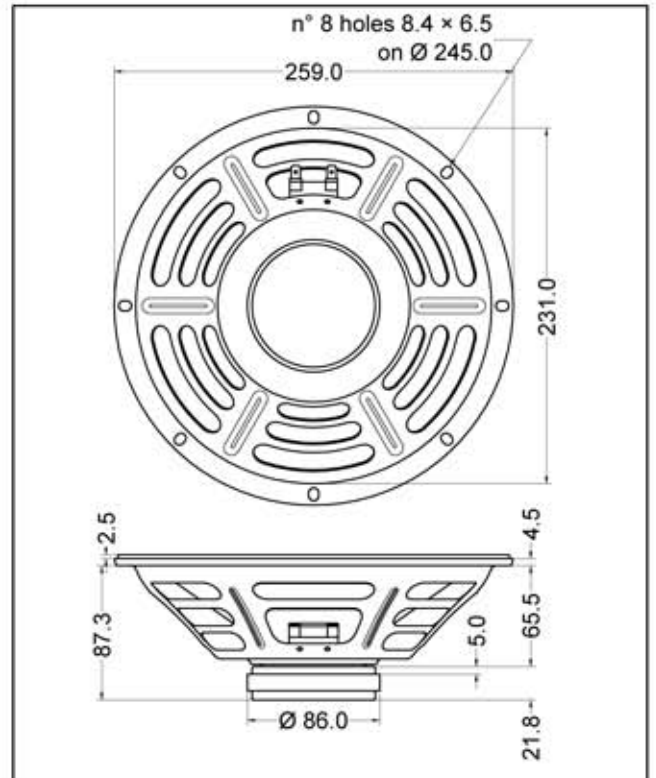
Voice Coil DC Resistance .....	$R_E$	6.60	Ω
Resonance Frequency .....	$f_s$	96.0	Hz
Mechanical Q Factor.....	$Q_{MS}$	10.56	
Electrical Q Factor.....	$Q_{ES}$	1.66	
Total Q Factor.....	$Q_{TS}$	1.44	
Mechanical Moving Mass .....	$M_{MS}$	14.1	g
Mechanical Compliance.....	$C_{MS}$	194	μm/N
Force Factor .....	$B \times l$	5.82	Wb/m
Equivalent Acoustic Volume.....	$V_{AS}$	29.7	lt.
Maximum Linear Displacement ....	$X_{MAX}$	+/-0.8	mm
Reference Efficiency .....	$\eta_D$	1.50	%
Diaphragm Area .....	$S_D$	330.0	cm <sup>2</sup>
Losses Electrical Resistance.....	$R_{ES}$	42.0	Ω
Voice Coil Inductance @ 1kHz .....	$L_E$	0.53	mH

### CONSTRUCTIVE CHARACTERISTICS

Magnet.....	Ferrite
Voice Coil Winding.....	Copper
Voice Coil Former.....	Kapton
Cone .....	Paper
Surround.....	Paper - Integrated
Dust Dome .....	Solid Paper
Basket .....	Pressed Sheet Steel

### ELECTRICAL CHARACTERISTICS

Nominal Impedance.....	8	Ω
Musical Power .....	50	W
Rated Power* .....	25	W
Sensitivity @ 1 W, 1 m .....	94.7	dB



\*rated power measured with 2 hours test with pink noise signal, 6 dB crest factor, loudspeaker mounted on enclosure

Frequency Response on IEC Baffle (DIN 45575) @ 1 W, 1 m - Impedance

